

Progress-EMV-RAPID

Material: Messing vernickelt
 Kontaktscheibe: Edelstahl A2
 Dichtensatz: TPE
 O-Ring: NBR
 Zugentlastung: nach EN 50262, Ausf. A*
 Einsatztemperatur: -40°C bis 100°C
 Schutzart: IP 68



Material: brass, nickel-plated
 Contact disc: stainless steel A2
 Sealing insert: TPE
 O-ring: NBR
 Strain relief: acc. to EN 50262, version A*
 Temperature range: -40°C to 100°C
 Protection type: IP 68

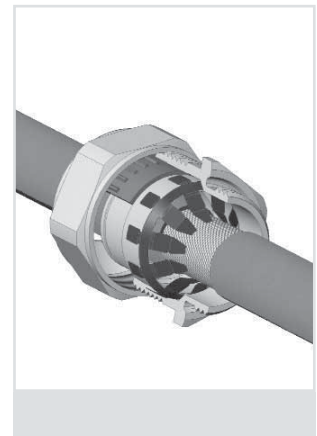
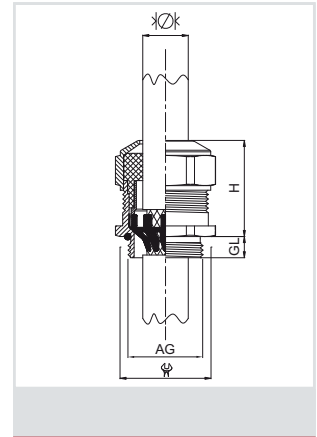
107.RK
107.RL

* nur metrische Größen

* only metric sizes



Gewinde Entry Thread AG			H mm	Gew. kurz / Thread short GL HUGRO No.		Gew. lang / Thread long GL HUGRO No.	
				mm		mm	
M 12 x 1,5	4,5 - 6	15	20	5	107.1506.RK	10	107.1506.RL
M 12 x 1,5	6 - 7,5	15	20	5	107.1507.RK	10	107.1507.RL
M 16 x 1,5	6 - 8	18	23	5	107.1708.RK	10	107.1708.RL
M 16 x 1,5	8 - 10	18	25	5	107.1710.RK	10	107.1710.RL
M 20 x 1,5	8 - 11	24	25	6	107.2011.RK	10	107.2011.RL
M 20 x 1,5	11 - 14	24	27	6	107.2014.RK	10	107.2014.RL
M 25 x 1,5	13 - 16	30	30	7	107.2516.RK	11	107.2516.RL
M 25 x 1,5	16 - 19	30	33	7	107.2519.RK	11	107.2519.RL
M 32 x 1,5	18 - 21	36	32	8	107.3221.RK	13	107.3221.RL
M 32 x 1,5	21 - 25	36	32	8	107.3225.RK	13	107.3225.RL
Pg 7	4,5 - 6	15	20	6	107.0706.RK	10	107.0706.RL
Pg 7	6 - 7,5	15	20	6	107.0707.RK	10	107.0707.RL
Pg 9	6 - 8	18	23	6	107.0908.RK	10	107.0908.RL
Pg 9	8 - 10	18	25	6	107.0910.RK	10	107.0910.RL
Pg 11	5,5 - 8,5	21	25	6	107.1108.RK	10	107.1108.RL
Pg 11	8,5 - 12	21	25	6	107.1112.RK	10	107.1112.RL
Pg 13,5	8 - 11	24	25	6	107.1311.RK	10	107.1311.RL
Pg 13,5	11 - 14	24	27	6	107.1314.RK	10	107.1314.RL
Pg 16	8 - 11	24	24	6	107.1611.RK	10	107.1611.RL
Pg 16	11 - 14	24	27	6	107.1614.RK	10	107.1614.RL
Pg 21	13 - 16	30	30	7	107.2116.RK	12	107.2116.RL
Pg 21	16 - 19	30	33	7	107.2119.RK	12	107.2119.RL
Pg 29	19 - 23	38	33	8	107.2923.RK	12	107.2923.RL
Pg 29	23 - 25,5	38	32	8	107.2925.RK	12	107.2925.RL



Eigenschaften:
 - zeitsparende Montage von partiell abisolierten sowie durchgehend geschirmten Kabeln
 - schnelle und einfache Schirmkontaktierung
 - 1 Verschraubung, 2 Kontaktierungsvarianten

Characteristics:
 - quick installation of partially stripped cables as well as thoroughly shielded cables
 - easy and quick shield terminating
 - 1 cable gland, 2 contacting methods

Cable Glands

EMC Protection

Ex Protection

Conduit Protection Syst.

Accessories

Technical Appendix

Article Number Index