

WAZU-EMV

Material: Messing vernickelt
 Klemmeinsatz: PA
 Dichtung: NBR
 O-Ring: NBR
 Zugentlastung: nach EN 50262, Ausf. A*
 Einsatztemperatur: -40 °C bis 100 °C
 Schutzart: IP 68

Material: brass, nickel-plated
 Clamping insert: PA (Nylon)
 Sealing insert: NBR
 O-ring: NBR
 Strain relief: acc. to EN 50262, version A*
 Temperature range: -40 °C to 100 °C
 Protection type: IP 68

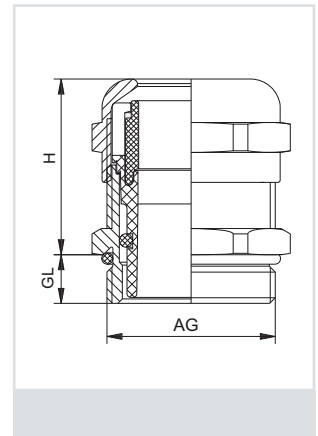
157.00
157.20

* nur metrische Größen

* only metric sizes



Gewinde Entry Thread AG	Øk mm	H mm	Gew. kurz / Thread short		Gew. lang / Thread long	
			GL mm	HUGRO No.	GL mm	HUGRO No.
M 12 x 1,5	2 - 5	14	19	6,5	157.1505	10 157.1505.20
M 12 x 1,5	3 - 6,5	14	19	6,5	157.1507	10 157.1507.20
M 16 x 1,5	3 - 7	20	22	6	157.1707	10 157.1707.20
M 16 x 1,5	5 - 10	20	22	6	157.1710	10 157.1710.20
M 20 x 1,5	7 - 12	24	24	6	157.2012	10 157.2012.20
M 20 x 1,5	10 - 14	24	24	6	157.2014	10 157.2014.20
M 25 x 1,5	9 - 16	30	25	7	157.2516	12 157.2516.20
M 25 x 1,5	13 - 18	30	25	7	157.2518	12 157.2518.20
M 32 x 1,5	13 - 20	40	31	8	157.3220	12 157.3220.20
M 32 x 1,5	18 - 25	40	31	8	157.3225	12 157.3225.20
M 40 x 1,5	20 - 26	50	37	8	157.4026	15 157.4026.20
M 40 x 1,5	22 - 32	50	37	8	157.4032	15 157.4032.20
M 50 x 1,5	25 - 31	57	37	9	157.5031	
M 50 x 1,5	32 - 38	57	37	9	157.5038	
M 63 x 1,5	29 - 35	68/64	38	10	157.6335	
M 63 x 1,5	37 - 44	68/64	38	10	157.6344	
Pg 7	2 - 5	14	19	5	157.0705	10 157.0705.20
Pg 7	3 - 6,5	14	19	5	157.0707	10 157.0707.20
Pg 9	2 - 6	17	21	6	157.0906	10 157.0906.20
Pg 9	4 - 8	17	21	6	157.0908	10 157.0908.20
Pg 11	3 - 7	20	22	6	157.1107	10 157.1107.20
Pg 11	5 - 10	20	22	6	157.1110	10 157.1110.20
Pg 13,5	5 - 9	22	23	6,5	157.1309	10 157.1309.20
Pg 13,5	6 - 12	22	23	6,5	157.1312	10 157.1312.20
Pg 16	7 - 12	24	24	6,5	157.1612	10 157.1612.20
Pg 16	10 - 14	24	24	6,5	157.1614	10 157.1614.20
Pg 21	9 - 16	30	25	7	157.2116	12 157.2116.20
Pg 21	13 - 18	30	25	7	157.2118	12 157.2118.20
Pg 29	13 - 20	40	31	8	157.2920	12 157.2920.20
Pg 29	18 - 25	40	31	8	157.2925	12 157.2925.20
Pg 36	20 - 26	50	37	8	157.3626	15 157.3626.20
Pg 36	22 - 32	50	37	8	157.3632	15 157.3632.20
Pg 42	25 - 31	57	37	9	157.4231	15 157.4231.20
Pg 42	32 - 38	57	37	9	157.4238	15 157.4238.20
Pg 48	29 - 35	64	38	10	157.4835	15 157.4835.20
Pg 48	37 - 44	64	38	10	157.4844	15 157.4844.20
3/8" NPT	2 - 6	19/17	21	15	157.3906	
3/8" NPT	4 - 8	19/17	21	15	157.3908	
1/2" NPT	5 - 9	24/22	24	13	157.1909	
1/2" NPT	6 - 12	24/22	24	13	157.1912	
3/4" NPT	9 - 16	30	25	13	157.3516	
3/4" NPT	13 - 18	30	25	13	157.3518	



Einfache Handhabung:
 Das Abschirmgeflecht muss nur über den Kunststoffeinsatz gestülpt werden und muss den O-Ring ca. 2mm überdecken.

Simple installation:
 The braided shield has to be turned up over the clamping insert and must overlap the O-ring by approx. 2mm.

