

Progress-S2 + Progress-S2/HT

Material: Edelstahl CrNi (DIN 1.4305)
 Kennzeichen: 1 Rille
 Dichteinsatz: TPE/FPM
 O-Ring: NBR/FPM
 Zugentlastung: nach EN 50262, Ausf. A*
 Einsatztemperatur: TPE: -40 °C bis 100 °C /
 FPM: -40 °C bis 200 °C
 Schutzart: IP 68



Material: Stainless steel CrNi (DIN 1.4305)
 Identification: 1 groove
 Sealing insert: TPE/FPM
 O-ring: NBR/FPM
 Strain relief: acc. to EN 50262, version A*
 Temperature range: TPE: -40 °C to 100 °C /
 FPM: -40 °C to 200 °C
 Protection type: IP 68

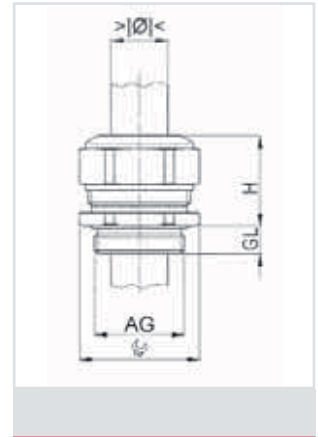
101.30
101.33

SEV-geprüft nach EN 50262
 * nur metrische Größen

SEV approved acc. to EN 50262
 * only metric sizes



Gewinde Entry Thread AG			H mm	GL mm	Progress-S2 TPE HUGRO No.	Progress-S2/HT FPM HUGRO No.
kurzer, einteiliger Dichteinsatz / short, one-piece sealing insert						
M 8 x 1,25	2,5 - 3,5	11	14	10	101.0803.30	101.0803.33
M 8 x 1,25	3,5 - 5	11	14	10	101.0805.30	101.0805.33
M 10 x 1,5	3 - 4	13	15	10	101.1004.30	101.1004.33
M 10 x 1,5	4 - 6	13	15	10	101.1006.30	101.1006.33
M 12 x 1,5	3,5 - 5	17	17	10	101.1505.30	101.1505.33
M 12 x 1,5	5 - 6,5	17	17	10	101.1506.30	101.1506.33
M 12 x 1,5	6,5 - 8	17	17	10	101.1508.30	101.1508.33
M 16 x 1,5	8 - 10,5	19	20	10	101.1710.30	101.1710.33
M 20 x 1,5	11 - 15	24	21	10	101.2015.30	101.2015.33
M 25 x 1,5	16 - 20,5	30	25	11	101.2520.30	101.2520.33
M 32 x 1,5	21 - 25,5	36	28	13	101.3225.30	101.3225.33
M 40 x 1,5	28,5 - 33	46	31	13	101.4033.30	101.4033.33
M 50 x 1,5	37 - 42	55	34	14	101.5042.30	101.5042.33
M 63 x 1,5	46 - 52	70	37	14	101.6352.30	101.6352.33
Pg 7						
Pg 7	3,5 - 5	17	17	10	101.0705.30	101.0705.33
Pg 7	5 - 6,5	17	17	10	101.0706.30	101.0706.33
Pg 7	6,5 - 8	17	17	10	101.0708.30	101.0708.33
Pg 9	8 - 10,5	19	20	10	101.0910.30	101.0910.33
Pg 11	8,5 - 12	22	21	10	101.1112.30	101.1112.33
Pg 13,5	11 - 15	24	21	10	101.1315.30	101.1315.33
Pg 16	11 - 15	24	21	10	101.1615.30	101.1615.33
Pg 21	16 - 20,5	30	25	12	101.2120.30	101.2120.33
Pg 29	23 - 27,5	41	28	12	101.2927.30	101.2927.33
Pg 36	30,5 - 35	50	32	15	101.3635.30	101.3635.33
Pg 42	37 - 42	55	34	15	101.4242.30	101.4242.33
Pg 48	43 - 49	65	37	15	101.4849.30	101.4849.33
kurzer, zweiteiliger Dichteinsatz / short, two-piece sealing insert						
M 16 x 1,5	6 - 10,5	19	20	10	101.1702.30	101.1702.33
M 20 x 1,5	8 - 15	24	21	10	101.2002.30	101.2002.33
M 25 x 1,5	12,5 - 20,5	30	25	11	101.2502.30	101.2502.33
M 32 x 1,5	17 - 25,5	36	28	13	101.3202.30	101.3202.33
M 40 x 1,5	24 - 33	46	31	13	101.4002.30	101.4002.33
M 50 x 1,5	33 - 42	55	34	14	101.5002.30	101.5002.33
M 63 x 1,5	40 - 52	70	37	14	101.6302.30	101.6302.33
Pg 9						
Pg 9	6 - 10,5	19	20	10	101.0902.30	101.0902.33
Pg 11	5,5 - 12	22	21	10	101.1102.30	101.1102.33
Pg 13,5	8 - 15	24	21	10	101.1302.30	101.1302.33
Pg 16	8 - 15	24	21	10	101.1602.30	101.1602.33
Pg 21	12,5 - 20,5	30	25	12	101.2102.30	101.2102.33
Pg 29	19 - 27,5	41	28	12	101.2902.30	101.2902.33
Pg 36	26 - 35	50	32	15	101.3602.30	101.3602.33
Pg 42	33 - 42	55	34	15	101.4202.30	101.4202.33
Pg 48	37 - 49	65	37	15	101.4802.30	101.4802.33



Kabelverschraubungen

EMV-Schutz

Ex-Schutz

Kabelschutzsysteme

Zubehör

Technischer Anhang

Artikel-Verzeichnis

