

## Uni-Dicht-P

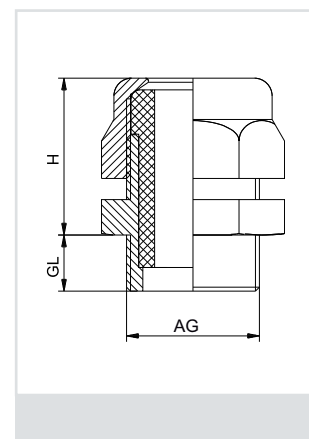
Material: PA/\*POM  
 Farbe: grau (RAL 7032)  
 Zugentlastung: nach EN 50262, Ausf. A  
 Dichteinsatz: TPE  
 Einsatztemperatur: -20 °C bis 100 °C  
 Schutzart: IP 68

Material: PA (Nylon)/\*POM  
 Colour: grey (RAL 7032)  
 Strain relief: acc. to EN 50262, version A  
 Sealing insert: TPE  
 Temperature range: -20 °C to 100 °C  
 Protection type: IP 68

**181.00**



| Gewinde<br>Entry Thread<br>AG | mm          | mm    | H mm | GL mm | HUGRO No.  |
|-------------------------------|-------------|-------|------|-------|------------|
| M 12 x 1,5                    | 4 - 6,5     | 15    | 21   | 8     | 181.1507   |
| M 16 x 1,5                    | 4 - 6,5     | 19    | 22   | 9     | 181.1707   |
| M 16 x 1,5                    | 5 - 8       | 19    | 22   | 9     | 181.1708   |
| M 16 x 1,5                    | 6,5 - 9,5   | 19    | 22   | 9     | 181.1710   |
| M 20 x 1,5                    | 4 - 6,5     | 22    | 23   | 9     | 181.2007   |
| M 20 x 1,5                    | 5 - 8       | 22    | 23   | 9     | 181.2008   |
| M 20 x 1,5                    | 6,5 - 9,5   | 22    | 23   | 9     | 181.2010   |
| M 20 x 1,5                    | 7 - 10,5    | 22    | 23   | 9     | 181.2011   |
| M 20 x 1,5                    | 4 - 6,5     | 24    | 23   | 9     | 181.2307   |
| M 20 x 1,5                    | 5 - 8       | 24    | 23   | 9     | 181.2308   |
| M 20 x 1,5                    | 6,5 - 9,5   | 24    | 23   | 9     | 181.2310   |
| M 20 x 1,5                    | 7 - 10,5    | 24    | 23   | 9     | 181.2311   |
| M 20 x 1,5                    | 9 - 13      | 24    | 23   | 9     | 181.2313   |
| M 25 x 1,5                    | 4 - 6,5     | 30/27 | 23   | 9     | 181.2507   |
| M 25 x 1,5                    | 5 - 8       | 30/27 | 23   | 9     | 181.2508   |
| M 25 x 1,5                    | 6,5 - 9,5   | 30/27 | 23   | 9     | 181.2510   |
| M 25 x 1,5                    | 7 - 10,5    | 30/27 | 23   | 9     | 181.2511   |
| M 25 x 1,5                    | 9 - 13      | 30/27 | 23   | 9     | 181.2513   |
| M 25 x 1,5                    | 11,5 - 15,5 | 30/27 | 23   | 9     | 181.2516   |
| M 32 x 1,5                    | 7 - 10,5    | 36/33 | 27   | 11    | 181.3211   |
| M 32 x 1,5                    | 9 - 13      | 36/33 | 27   | 11    | 181.3213   |
| M 32 x 1,5                    | 11,5 - 15,5 | 36/33 | 27   | 11    | 181.3216   |
| M 32 x 1,5                    | 14 - 18     | 36/33 | 27   | 11    | 181.3218   |
| M 32 x 1,5                    | 17 - 20,5   | 36/33 | 27   | 11    | 181.3221   |
| M 40 x 1,5                    | 11,5 - 15,5 | 46/43 | 34   | 11,5  | 181.4016   |
| M 40 x 1,5                    | 14 - 18     | 46/43 | 34   | 11,5  | 181.4018   |
| M 40 x 1,5                    | 17 - 20,5   | 46/43 | 34   | 11,5  | 181.4021   |
| M 40 x 1,5                    | 20 - 25     | 46/43 | 34   | 11,5  | 181.4025   |
| M 40 x 1,5                    | 24 - 28     | 46/43 | 34   | 11,5  | 181.4028   |
| M 50 x 1,5                    | 27 - 32     | 55/53 | 34   | 14    | 181.5032   |
| M 50 x 1,5                    | 29 - 34     | 55/53 | 34   | 14    | 181.5034   |
| M 50 x 1,5                    | 32 - 36     | 55/53 | 34   | 14    | 181.5036   |
| M 50 x 1,5                    | 36 - 40     | 60    | 38   | 14    | 181.5040 * |
| M 63 x 1,5                    | 39 - 44     | 68/65 | 41   | 14    | 181.6344 * |





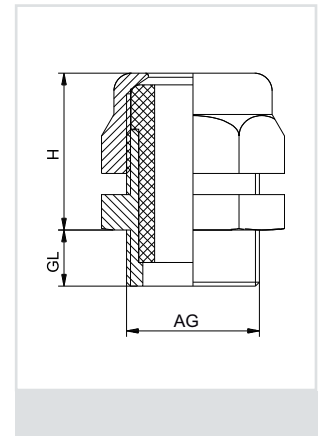
## Uni-Dicht-P (Pg)

Material: PA/\*POM  
 Farbe: grau (RAL 7032)  
 Dichteinsatz: TPE  
 Einsatztemperatur: -20 °C bis 100 °C  
 Schutzart: IP 68

Material: PA (Nylon)/\*POM  
 Colour: grey (RAL 7032)  
 Sealing insert: TPE  
 Temperature range: -20 °C to 100 °C  
 Protection type: IP 68

**181.00**

| Gewinde<br>Entry Thread<br>AG | <br>mm | <br>mm | H<br>mm | GL<br>mm | HUGRO No.  |
|-------------------------------|---|---|---------|----------|------------|
| Pg 7                          | 4 - 6,5   | 15  | 21      | 8        | 181.0707   |
| Pg 9                          | 4 - 6,5   | 19  | 22      | 9        | 181.0907   |
| Pg 9                          | 5 - 8   | 19  | 22      | 9        | 181.0908   |
| Pg 9                          | 6,5 - 9,5   | 19  | 22      | 9        | 181.0910   |
| Pg 11                         | 4 - 6,5   | 22  | 23      | 9        | 181.1107   |
| Pg 11                         | 5 - 8   | 22  | 23      | 9        | 181.1108   |
| Pg 11                         | 6,5 - 9,5   | 22  | 23      | 9        | 181.1110   |
| Pg 11                         | 7 - 10,5  | 22  | 23      | 9        | 181.1111   |
| Pg 13,5                       | 4 - 6,5   | 24  | 23      | 9        | 181.1307   |
| Pg 13,5                       | 5 - 8   | 24  | 23      | 9        | 181.1308   |
| Pg 13,5                       | 6,5 - 9,5   | 24  | 23      | 9        | 181.1310   |
| Pg 13,5                       | 7 - 10,5  | 24  | 23      | 9        | 181.1311   |
| Pg 13,5                       | 9 - 13  | 24  | 23      | 9        | 181.1313   |
| Pg 16                         | 4 - 6,5   | 27  | 23      | 9,5      | 181.1607   |
| Pg 16                         | 5 - 8   | 27  | 23      | 9,5      | 181.1608   |
| Pg 16                         | 6,5 - 9,5   | 27  | 23      | 9,5      | 181.1610   |
| Pg 16                         | 7 - 10,5  | 27  | 23      | 9,5      | 181.1611   |
| Pg 16                         | 9 - 13  | 27  | 23      | 9,5      | 181.1613   |
| Pg 16                         | 11,5 - 15,5   | 27  | 23      | 9,5      | 181.1616   |
| Pg 21                         | 7 - 10,5  | 33  | 27      | 11       | 181.2111   |
| Pg 21                         | 9 - 13  | 33  | 27      | 11       | 181.2113   |
| Pg 21                         | 11,5 - 15,5   | 33  | 27      | 11       | 181.2116   |
| Pg 21                         | 14 - 18   | 33  | 27      | 11       | 181.2118   |
| Pg 21                         | 17 - 20,5   | 33  | 27      | 11       | 181.2121   |
| Pg 29                         | 9 - 13  | 43  | 34      | 11,5     | 181.2913   |
| Pg 29                         | 11,5 - 15,5   | 43  | 34      | 11,5     | 181.2916   |
| Pg 29                         | 14 - 18   | 43  | 34      | 11,5     | 181.2918   |
| Pg 29                         | 17 - 20,5   | 43  | 34      | 11,5     | 181.2921   |
| Pg 29                         | 20 - 25   | 43  | 34      | 11,5     | 181.2925   |
| Pg 29                         | 24 - 28   | 43  | 34      | 11,5     | 181.2928   |
| Pg 36                         | 27 - 32   | 53  | 34      | 14       | 181.3632   |
| Pg 36                         | 29 - 34   | 53  | 34      | 14       | 181.3634   |
| Pg 36                         | 32 - 36   | 53  | 34      | 14       | 181.3636   |
| Pg 42                         | 36 - 40   | 60  | 38      | 15       | 181.4240 * |
| Pg 48                         | 39 - 44   | 65  | 41      | 15       | 181.4844 * |



**Uni-Dicht-P / MF**

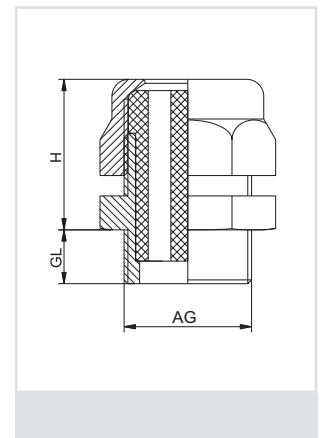
Material: PA / \*POM  
Farbe: grau (RAL 7032)  
Dichteinsatz: TPE  
Einsatztemperatur: -20 °C bis 100 °C  
Schutzart: IP 68

Material: PA (Nylon) / \*POM  
Colour: grey (RAL 7032)  
Sealing insert: TPE  
Temperature range: -20 °C to 100 °C  
Protection type: IP 68

**181.40**



| Gewinde<br>Entry Thread<br>AG | mm    | H<br>mm | GL<br>mm | mm       | HUGRO No.           | mm       | HUGRO No.           |
|-------------------------------|-------|---------|----------|----------|---------------------|----------|---------------------|
| M 16 x 1,5                    | 19    | 22      | 9        | 2 x 1,2  | <b>181.17122.40</b> | 4 x 1,4  | <b>181.17144.40</b> |
| M 16 x 1,5                    | 19    | 22      | 9        | 2 x 3    | <b>181.17302.40</b> | 3 x 3    | <b>181.17303.40</b> |
| M 16 x 1,5                    | 19    | 22      | 9        | 4 x 3    | <b>181.17304.40</b> | 2 x 4    | <b>181.17402.40</b> |
| M 20 x 1,5                    | 22    | 23      | 9        | 8 x 1,2  | <b>181.20128.40</b> | 4 x 1,5  | <b>181.20154.40</b> |
| M 20 x 1,5                    | 22    | 23      | 9        | 7 x 1,5  | <b>181.20157.40</b> | 9 x 1,5  | <b>181.20159.40</b> |
| M 20 x 1,5                    | 22    | 23      | 9        | 6 x 2    | <b>181.20206.40</b> | 2 x 2,3  | <b>181.20232.40</b> |
| M 20 x 1,5                    | 22    | 23      | 9        | 6 x 2,5  | <b>181.20256.40</b> | 2 x 3    | <b>181.20302.40</b> |
| M 20 x 1,5                    | 22    | 23      | 9        | 3 x 3    | <b>181.20303.40</b> | 5 x 3,5  | <b>181.20355.40</b> |
| M 20 x 1,5                    | 22    | 23      | 9        | 2 x 4    | <b>181.20402.40</b> | 3 x 4    | <b>181.20403.40</b> |
| M 20 x 1,5                    | 22    | 23      | 9        | 2 x 5    | <b>181.20502.40</b> | 2 x 6    | <b>181.20602.40</b> |
| M 20 x 1,5                    | 24    | 23      | 9        | 8 x 1,5  | <b>181.23158.40</b> | 3 x 2    | <b>181.23203.40</b> |
| M 20 x 1,5                    | 24    | 23      | 9        | 10 x 2   | <b>181.23210.40</b> | 2 x 3    | <b>181.23302.40</b> |
| M 20 x 1,5                    | 24    | 23      | 9        | 3 x 3    | <b>181.23303.40</b> | 4 x 3    | <b>181.23304.40</b> |
| M 20 x 1,5                    | 24    | 23      | 9        | 6 x 3,5  | <b>181.23356.40</b> | 3 x 4    | <b>181.23403.40</b> |
| M 20 x 1,5                    | 24    | 23      | 9        | 2 x 5    | <b>181.23502.40</b> | 2 x 6    | <b>181.23602.40</b> |
| M 25 x 1,5                    | 30/27 | 23      | 9        | 7 x 2    | <b>181.25207.40</b> | 3 x 3    | <b>181.25303.40</b> |
| M 25 x 1,5                    | 30/27 | 23      | 9        | 9 x 3    | <b>181.25309.40</b> | 2 x 4    | <b>181.25402.40</b> |
| M 25 x 1,5                    | 30/27 | 23      | 9        | 4 x 4    | <b>181.25404.40</b> | 6 x 4    | <b>181.25406.40</b> |
| M 25 x 1,5                    | 30/27 | 23      | 9        | 2 x 6    | <b>181.25602.40</b> | 4 x 6    | <b>181.25604.40</b> |
| M 25 x 1,5                    | 30/27 | 23      | 9        | 3 x 7    | <b>181.25703.40</b> | 2 x 8    | <b>181.25802.40</b> |
| M 32 x 1,5                    | 36/33 | 27      | 11       | 21 x 2   | <b>181.32221.40</b> | 8 x 3    | <b>181.32308.40</b> |
| M 32 x 1,5                    | 36/33 | 27      | 11       | 6 x 4    | <b>181.32406.40</b> | 8 x 4    | <b>181.32408.40</b> |
| M 32 x 1,5                    | 36/33 | 27      | 11       | 2 x 4,5  | <b>181.32452.40</b> | 4 x 5    | <b>181.32504.40</b> |
| M 32 x 1,5                    | 36/33 | 27      | 11       | 6 x 5    | <b>181.32506.40</b> | 8 x 5    | <b>181.32508.40</b> |
| M 32 x 1,5                    | 36/33 | 27      | 11       | 4 x 6    | <b>181.32604.40</b> | 4 x 6,5  | <b>181.32654.40</b> |
| M 32 x 1,5                    | 36/33 | 27      | 11       | 6 x 6,5  | <b>181.32656.40</b> | 3 x 7    | <b>181.32703.40</b> |
| M 32 x 1,5                    | 36/33 | 27      | 11       | 2 x 8    | <b>181.32802.40</b> | 4 x 8    | <b>181.32804.40</b> |
| M 32 x 1,5                    | 36/33 | 27      | 11       | 2 x 9    | <b>181.32902.40</b> | 3 x 9    | <b>181.32903.40</b> |
| M 40 x 1,5                    | 46/43 | 34      | 11,5     | 12 x 5,3 | <b>181.40512.40</b> | 6 x 6    | <b>181.40606.40</b> |
| M 40 x 1,5                    | 46/43 | 34      | 11,5     | 10 x 6   | <b>181.40610.40</b> | 7 x 7    | <b>181.40707.40</b> |
| M 40 x 1,5                    | 46/43 | 34      | 11,5     | 5 x 8    | <b>181.40805.40</b> | 6 x 8    | <b>181.40806.40</b> |
| M 40 x 1,5                    | 46/43 | 34      | 11,5     | 4 x 9    | <b>181.40904.40</b> | 5 x 9    | <b>181.40905.40</b> |
| M 40 x 1,5                    | 46/43 | 34      | 11,5     | 4 x 10   | <b>181.40104.40</b> | 5 x 10   | <b>181.40105.40</b> |
| M 40 x 1,5                    | 46/43 | 34      | 11,5     | 2 x 11   | <b>181.40112.40</b> | 3 x 11   | <b>181.40113.40</b> |
| M 40 x 1,5                    | 46/43 | 34      | 11,5     | 2 x 13   | <b>181.40132.40</b> |          |                     |
| M 50 x 1,5                    | 55/53 | 34      | 14       | 15 x 5   | <b>181.50515.40</b> | 13 x 7   | <b>181.50713.40</b> |
| M 50 x 1,5                    | 55/53 | 34      | 14       | 8 x 8    | <b>181.50808.40</b> | 11 x 8   | <b>181.50811.40</b> |
| M 50 x 1,5                    | 55/53 | 34      | 14       | 7 x 9    | <b>181.50907.40</b> | 8 x 9    | <b>181.50908.40</b> |
| M 50 x 1,5                    | 55/53 | 34      | 14       | 3 x 10   | <b>181.50103.40</b> | 4 x 11,5 | <b>181.50114.40</b> |
| M 50 x 1,5                    | 55/53 | 34      | 14       | 5 x 11,5 | <b>181.50115.40</b> | 4 x 13   | <b>181.50134.40</b> |
| M 50 x 1,5                    | 55/53 | 34      | 14       | 2 x 15   | <b>181.50152.40</b> |          |                     |
| M 63 x 1,5 *                  | 68/65 | 41      | 14       | 8 x 10   | <b>181.63108.40</b> | 4 x 12   | <b>181.63124.40</b> |
| M 63 x 1,5 *                  | 68/65 | 41      | 14       | 8 x 12   | <b>181.63128.40</b> | 4 x 16   | <b>181.63164.40</b> |
| M 63 x 1,5 *                  | 68/65 | 41      | 14       | 3 x 18   | <b>181.63183.40</b> |          |                     |



Weitere Ausführungen und unterschiedliche Bohrungen auf Anfrage

Further versions and different holes on request

Bolzen zum Verschließen nicht gebrauchter Bohrungen siehe Zubehör - Serie 683




Plugs for closing of not used holes see accessories - series 683

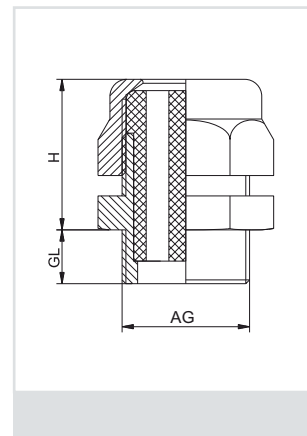
## Uni-Dicht-P / MF (Pg)

Material: PA / \*POM  
 Farbe: grau (RAL 7032)  
 Dichteinsatz: TPE  
 Einsatztemperatur: -20 °C bis 100 °C  
 Schutzart: IP 68

Material: PA (Nylon) / \*POM  
 Colour: grey (RAL 7032)  
 Sealing insert: TPE  
 Temperature range: -20 °C to 100 °C  
 Protection type: IP 68

**181.40**

| Gewinde<br>Entry Thread<br>AG | <br>mm | H<br>mm | GL<br>mm | <br>mm | HUGRO No.           | <br>mm | HUGRO No.           |
|-------------------------------|---|---------|----------|---|---------------------|---|---------------------|
| Pg 9                          | 19  | 22      | 9        | 2 x 1,2   | <b>181.09122.40</b> | 4 x 1,4   | <b>181.09144.40</b> |
| Pg 9                          | 19  | 22      | 9        | 2 x 3   | <b>181.09302.40</b> | 3 x 3   | <b>181.09303.40</b> |
| Pg 9                          | 19  | 22      | 9        | 4 x 3   | <b>181.09304.40</b> | 2 x 4   | <b>181.09402.40</b> |
| Pg 11                         | 22  | 23      | 9        | 8 x 1,2   | <b>181.11128.40</b> | 4 x 1,5   | <b>181.11154.40</b> |
| Pg 11                         | 22  | 23      | 9        | 7 x 1,5   | <b>181.11157.40</b> | 9 x 1,5   | <b>181.11159.40</b> |
| Pg 11                         | 22  | 23      | 9        | 6 x 2   | <b>181.11206.40</b> | 2 x 2,3   | <b>181.11232.40</b> |
| Pg 11                         | 22  | 23      | 9        | 6 x 2,5   | <b>181.11256.40</b> | 2 x 3   | <b>181.11302.40</b> |
| Pg 11                         | 22  | 23      | 9        | 3 x 3   | <b>181.11303.40</b> | 5 x 3,5   | <b>181.11355.40</b> |
| Pg 11                         | 22  | 23      | 9        | 2 x 4   | <b>181.11402.40</b> | 3 x 4   | <b>181.11403.40</b> |
| Pg 11                         | 22  | 23      | 9        | 2 x 5   | <b>181.11502.40</b> | 2 x 6   | <b>181.11602.40</b> |
| Pg 13,5                       | 24  | 23      | 9        | 8 x 1,5   | <b>181.13158.40</b> | 3 x 2   | <b>181.13203.40</b> |
| Pg 13,5                       | 24  | 23      | 9        | 10 x 2  | <b>181.13210.40</b> | 2 x 3   | <b>181.13302.40</b> |
| Pg 13,5                       | 24  | 23      | 9        | 3 x 3   | <b>181.13303.40</b> | 4 x 3   | <b>181.13304.40</b> |
| Pg 13,5                       | 24  | 23      | 9        | 6 x 3,5   | <b>181.13356.40</b> | 3 x 4   | <b>181.13403.40</b> |
| Pg 13,5                       | 24  | 23      | 9        | 2 x 5   | <b>181.13502.40</b> | 2 x 6   | <b>181.13602.40</b> |
| Pg 16                         | 27  | 23      | 9,5      | 7 x 2   | <b>181.16207.40</b> | 3 x 3   | <b>181.16303.40</b> |
| Pg 16                         | 27  | 23      | 9,5      | 9 x 3   | <b>181.16309.40</b> | 2 x 4   | <b>181.16402.40</b> |
| Pg 16                         | 27  | 23      | 9,5      | 4 x 4   | <b>181.16404.40</b> | 6 x 4   | <b>181.16406.40</b> |
| Pg 16                         | 27  | 23      | 9,5      | 2 x 6   | <b>181.16602.40</b> | 4 x 6   | <b>181.16604.40</b> |
| Pg 16                         | 27  | 23      | 9,5      | 3 x 7   | <b>181.16703.40</b> | 2 x 8   | <b>181.16802.40</b> |
| Pg 21                         | 33  | 27      | 11       | 21 x 2  | <b>181.21221.40</b> | 8 x 3   | <b>181.21308.40</b> |
| Pg 21                         | 33  | 27      | 11       | 6 x 4   | <b>181.21406.40</b> | 8 x 4   | <b>181.21408.40</b> |
| Pg 21                         | 33  | 27      | 11       | 2 x 4,5   | <b>181.21452.40</b> | 4 x 5   | <b>181.21504.40</b> |
| Pg 21                         | 33  | 27      | 11       | 6 x 5   | <b>181.21506.40</b> | 8 x 5   | <b>181.21508.40</b> |
| Pg 21                         | 33  | 27      | 11       | 4 x 6   | <b>181.21604.40</b> | 4 x 6,5   | <b>181.21654.40</b> |
| Pg 21                         | 33  | 27      | 11       | 6 x 6,5   | <b>181.21656.40</b> | 3 x 7   | <b>181.21703.40</b> |
| Pg 21                         | 33  | 27      | 11       | 2 x 8   | <b>181.21802.40</b> | 4 x 8   | <b>181.21804.40</b> |
| Pg 21                         | 33  | 27      | 11       | 2 x 9   | <b>181.21902.40</b> | 3 x 9   | <b>181.21903.40</b> |
| Pg 29                         | 43  | 34      | 11,5     | 12 x 5,3  | <b>181.29512.40</b> | 6 x 6   | <b>181.29606.40</b> |
| Pg 29                         | 43  | 34      | 11,5     | 10 x 6  | <b>181.29610.40</b> | 7 x 7   | <b>181.29707.40</b> |
| Pg 29                         | 43  | 34      | 11,5     | 5 x 8   | <b>181.29805.40</b> | 6 x 8   | <b>181.29806.40</b> |
| Pg 29                         | 43  | 34      | 11,5     | 4 x 9   | <b>181.29904.40</b> | 5 x 9   | <b>181.29905.40</b> |
| Pg 29                         | 43  | 34      | 11,5     | 4 x 10  | <b>181.29104.40</b> | 5 x 10  | <b>181.29105.40</b> |
| Pg 29                         | 43  | 34      | 11,5     | 2 x 11  | <b>181.29112.40</b> | 3 x 11  | <b>181.29113.40</b> |
| Pg 29                         | 43  | 34      | 11,5     | 2 x 13  | <b>181.29132.40</b> |   |                     |
| Pg 36                         | 53  | 34      | 14       | 15 x 5  | <b>181.36515.40</b> | 13 x 7  | <b>181.36713.40</b> |
| Pg 36                         | 53  | 34      | 14       | 8 x 8   | <b>181.36808.40</b> | 11 x 8  | <b>181.36811.40</b> |
| Pg 36                         | 53  | 34      | 14       | 7 x 9   | <b>181.36907.40</b> | 8 x 9   | <b>181.36908.40</b> |
| Pg 36                         | 53  | 34      | 14       | 3 x 10  | <b>181.36103.40</b> | 4 x 11,5  | <b>181.36114.40</b> |
| Pg 36                         | 53  | 34      | 14       | 5 x 11,5  | <b>181.36115.40</b> | 4 x 13  | <b>181.36134.40</b> |
| Pg 36                         | 53  | 34      | 14       | 2 x 15  | <b>181.36152.40</b> |   |                     |
| Pg 48 *                       | 65  | 41      | 15       | 8 x 10  | <b>181.48108.40</b> | 4 x 12  | <b>181.48124.40</b> |
| Pg 48 *                       | 65  | 41      | 15       | 8 x 12  | <b>181.48128.40</b> | 4 x 16  | <b>181.48164.40</b> |
| Pg 48 *                       | 65  | 41      | 15       | 3 x 18  | <b>181.48183.40</b> |   |                     |



Weitere Ausführungen und unterschiedliche Bohrungen auf Anfrage

Further versions and different holes on request

Bolzen zum Verschließen nicht gebrauchter Bohrungen siehe Zubehör - Serie 683

Plugs for closing of not used holes see accessories - series 683