

## WADI-PZ

Material: PA  
 Farbe: grau / schwarz  
 Dichteinsatz: SBR  
 Zugentlastung: nach EN 50262, Ausf. A\*  
 Einsatztemperatur: -20 °C bis 80 °C  
 Schutzart: IP 68


Material: PA (Nylon)  
 Colour: grey / black  
 Sealing insert: SBR  
 Strain relief: acc. to EN 50262, version A\*  
 Temperature range: -20 °C to 80 °C  
 Protection type: IP 68

**178.00**  
**178.01**

\* nur metrische Größen

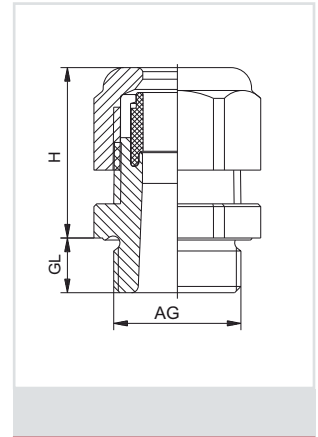
\* only metric sizes



| Gewinde<br>Entry Thread<br>AG | $\varnothing$<br>mm | <br>mm | H<br>mm | GL<br>mm | grau / grey<br>RAL 7035<br>HUGRO No. | schwarz / black<br>RAL 9005<br>HUGRO No. |
|-------------------------------|---------------------|---|---------|----------|--------------------------------------|--|
| M 12 x 1,5                    | 3 - 6,5             | 15  | 20      | 8        | <b>178.1507.00</b>                   | <b>178.1507.01</b>                       |
| M 16 x 1,5                    | 4 - 8               | 19  | 22      | 8        | <b>178.1708.00</b>                   | <b>178.1708.01</b>                       |
| M 16 x 1,5                    | 5 - 10              | 22  | 24      | 8        | <b>178.1710.00</b>                   | <b>178.1710.01</b>                       |
| M 20 x 1,5                    | 6 - 12              | 24  | 27      | 9        | <b>178.2012.00</b>                   | <b>178.2012.01</b>                       |
| M 20 x 1,5                    | 10 - 14             | 27  | 28      | 9        | <b>178.2014.00</b>                   | <b>178.2014.01</b>                       |
| M 25 x 1,5                    | 13 - 18             | 33  | 30      | 11       | <b>178.2518.00</b>                   | <b>178.2518.01</b>                       |
| M 32 x 1,5                    | 18 - 25             | 42  | 38      | 11       | <b>178.3225.00</b>                   | <b>178.3225.01</b>                       |
| M 40 x 1,5                    | 22 - 32             | 53  | 45      | 13       | <b>178.4032.00</b>                   | <b>178.4032.01</b>                       |
| M 50 x 1,5                    | 32 - 38             | 60  | 47      | 13       | <b>178.5038.00</b>                   | <b>178.5038.01</b>                       |
| M 63 x 1,5                    | 37 - 44             | 65/68   | 55      | 14       | <b>178.6344.00</b>                   | <b>178.6344.01</b>                       |
|                               |                     |   |         |          |                                      |  |
| Pg 7                          | 3 - 6,5             | 15  | 20      | 8        | <b>178.0707.00</b>                   |  |
| Pg 9                          | 4 - 8               | 19  | 22      | 8        | <b>178.0908.00</b>                   |  |
| Pg 11                         | 5 - 10              | 22  | 24      | 8        | <b>178.1110.00</b>                   |  |
| Pg 13,5                       | 6 - 12              | 24  | 27      | 9        | <b>178.1312.00</b>                   |  |
| Pg 16                         | 10 - 14             | 27  | 28      | 10       | <b>178.1614.00</b>                   |  |
| Pg 21                         | 13 - 18             | 33  | 30      | 11       | <b>178.2118.00</b>                   |  |
| Pg 29                         | 18 - 25             | 42  | 38      | 11       | <b>178.2925.00</b>                   |  |
| Pg 36                         | 22 - 32             | 53  | 50      | 13       | <b>178.3632.00</b>                   |  |
| Pg 48                         | 32 - 44             | 65  | 55      | 14       | <b>178.4844.00</b>                   |  |

Pg-Ausführung in schwarz auf Anfrage

Pg types in black on request



Kabelverschraubungen

EMV-Schutz

Ex-Schutz

Kabelschutzsysteme

Zubehör

Technischer Anhang

Artikel-Verzeichnis