





## WAZU (Pg)

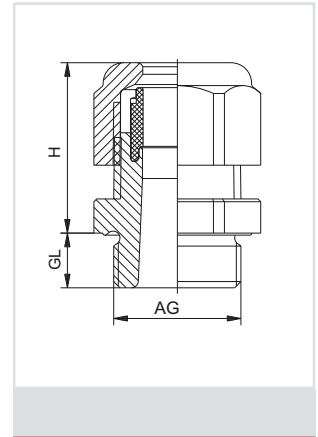
Material: PA, V0 nach UL 94  
 Farbe: grau/schwarz/blau  
 Dichteinsatz: NBR  
 Einsatztemperatur: -40 °C bis 100 °C  
 Schutzart: IP 68

Material: PA (Nylon), V0 acc. to UL 94  
 Colour: grey/black/blue  
 Sealing insert: NBR  
 Temperature range: -40 °C to 100 °C  
 Protection type: IP 68

**184.00**    **184.20**  
**184.01**    **184.21**  
**184.04**    **184.24**



| Gewinde<br>Entry Thread<br>AG                       |  |  | H<br>mm | GL<br>mm | grau/grey<br>RAL 7035<br>HUGRO No. | schwarz/black<br>RAL 9005<br>HUGRO.No | blau/blue<br>RAL 5012<br>HUGRO No. |
|---|---|---|---------|----------|------------------------------------|---------------------------------------|------------------------------------|
| <b>kurzes Anschlussgewinde / short entry thread</b> |   |   |         |          |                                    |                                       |                                    |
| Pg 7  | 2 - 5   | 15  | 20      | 8        | 184.0705                           | 184.0705.01                           | 184.0705.04                        |
| Pg 7  | 3 - 6,5   | 15  | 20      | 8        | 184.0707                           | 184.0707.01                           | 184.0707.04                        |
| Pg 9  | 2 - 6   | 19  | 22      | 8        | 184.0906                           | 184.0906.01                           | 184.0906.04                        |
| Pg 9  | 4 - 8   | 19  | 22      | 8        | 184.0908                           | 184.0908.01                           | 184.0908.04                        |
| Pg 11   | 3 - 7   | 22  | 24      | 8        | 184.1107                           | 184.1107.01                           | 184.1107.04                        |
| Pg 11   | 5 - 10  | 22  | 24      | 8        | 184.1110                           | 184.1110.01                           | 184.1110.04                        |
| Pg 13,5   | 5 - 9   | 24  | 27      | 9        | 184.1309                           | 184.1309.01                           | 184.1309.04                        |
| Pg 13,5   | 6 - 12  | 24  | 27      | 9        | 184.1312                           | 184.1312.01                           | 184.1312.04                        |
| Pg 16   | 7 - 12  | 27  | 28      | 10       | 184.1612                           | 184.1612.01                           | 184.1612.04                        |
| Pg 16   | 10 - 14   | 27  | 28      | 10       | 184.1614                           | 184.1614.01                           | 184.1614.04                        |
| Pg 21   | 9 - 16  | 33  | 30      | 11       | 184.2116                           | 184.2116.01                           | 184.2116.04                        |
| Pg 21   | 13 - 18   | 33  | 30      | 11       | 184.2118                           | 184.2118.01                           | 184.2118.04                        |
| Pg 29   | 13 - 20   | 42  | 38      | 11       | 184.2920                           | 184.2920.01                           | 184.2920.04                        |
| Pg 29   | 18 - 25   | 42  | 38      | 11       | 184.2925                           | 184.2925.01                           | 184.2925.04                        |
| Pg 36   | 20 - 26   | 53  | 45      | 13       | 184.3626                           | 184.3626.01                           | 184.3626.04                        |
| Pg 36   | 22 - 32   | 53  | 45      | 13       | 184.3632                           | 184.3632.01                           | 184.3632.04                        |
| Pg 42   | 25 - 31   | 60  | 47      | 13       | 184.4231                           | 184.4231.01                           | 184.4231.04                        |
| Pg 42   | 32 - 38   | 60  | 47      | 13       | 184.4238                           | 184.4238.01                           | 184.4238.04                        |
| Pg 48   | 29 - 35   | 65  | 47      | 14       | 184.4835                           | 184.4835.01                           | 184.4835.04                        |
| Pg 48   | 37 - 44   | 65  | 47      | 14       | 184.4844                           | 184.4844.01                           | 184.4844.04                        |



|  |         |    |    |    |             |             |             |
|--|---------|----|----|----|-------------|-------------|-------------|
| <b>langes Anschlussgewinde / long entry thread</b> |         |    |    |    |             |             |             |
| Pg 7   | 2 - 5   | 15 | 20 | 15 | 184.0705.20 | 184.0705.21 | 184.0705.24 |
| Pg 7   | 3 - 6,5 | 15 | 20 | 15 | 184.0707.20 | 184.0707.21 | 184.0707.24 |
| Pg 9   | 2 - 6   | 19 | 22 | 15 | 184.0906.20 | 184.0906.21 | 184.0906.24 |
| Pg 9   | 4 - 8   | 19 | 22 | 15 | 184.0908.20 | 184.0908.21 | 184.0908.24 |
| Pg 11  | 3 - 7   | 22 | 24 | 15 | 184.1107.20 | 184.1107.21 | 184.1107.24 |
| Pg 11  | 5 - 10  | 22 | 24 | 15 | 184.1110.20 | 184.1110.21 | 184.1110.24 |
| Pg 13,5  | 5 - 9   | 24 | 27 | 15 | 184.1309.20 | 184.1309.21 | 184.1309.24 |
| Pg 13,5  | 6 - 12  | 24 | 27 | 15 | 184.1312.20 | 184.1312.21 | 184.1312.24 |
| Pg 16  | 7 - 12  | 27 | 28 | 15 | 184.1612.20 | 184.1612.21 | 184.1612.24 |
| Pg 16  | 10 - 14 | 27 | 28 | 15 | 184.1614.20 | 184.1614.21 | 184.1614.24 |
| Pg 21  | 9 - 16  | 33 | 30 | 15 | 184.2116.20 | 184.2116.21 | 184.2116.24 |
| Pg 21  | 13 - 18 | 33 | 30 | 15 | 184.2118.20 | 184.2118.21 | 184.2118.24 |
| Pg 29  | 13 - 20 | 42 | 38 | 15 | 184.2920.20 | 184.2920.21 | 184.2920.24 |
| Pg 29  | 18 - 25 | 42 | 38 | 15 | 184.2925.20 | 184.2925.21 | 184.2925.24 |
| Pg 36  | 20 - 26 | 53 | 45 | 18 | 184.3626.20 | 184.3626.21 | 184.3626.24 |
| Pg 36  | 22 - 32 | 53 | 45 | 18 | 184.3632.20 | 184.3632.21 | 184.3632.24 |
| Pg 42  | 25 - 31 | 60 | 47 | 18 | 184.4231.20 | 184.4231.21 | 184.4231.24 |
| Pg 42  | 32 - 38 | 60 | 47 | 18 | 184.4238.20 | 184.4238.21 | 184.4238.24 |
| Pg 48  | 29 - 35 | 65 | 47 | 18 | 184.4835.20 | 184.4835.21 | 184.4835.24 |
| Pg 48  | 37 - 44 | 65 | 47 | 18 | 184.4844.20 | 184.4844.21 | 184.4844.24 |



Blaue Ausführung für den eigensicheren Bereich "i"

Blue type for intrinsic safety "i"



**WAZU (Pg)**

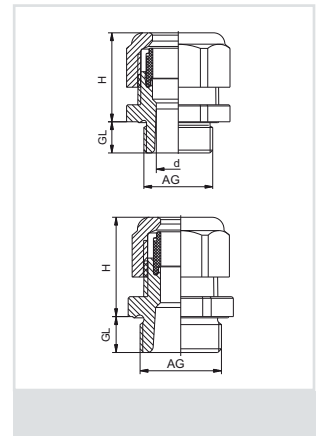
Material: PA, V0 nach UL 94  
Farbe: grau/schwarz  
Dichteinsatz: NBR  
Einsatztemperatur: -40 °C bis 100 °C  
Schutzart: IP 68

Material: PA (Nylon), V0 acc. to UL 94  
Colours: grey/black  
Sealing insert: NBR  
Temperature range: -40 °C to 100 °C  
Protection type: IP 68

**185.00    186.00**  
**185.01    186.01**



| Gewinde<br>Entry Thread<br>AG                |         |    | H<br>mm | d<br>mm | GL<br>mm | grau/grey<br>RAL 7035<br>HUGRO No. | schwarz/black<br>RAL 9005<br>HUGRO No. |
|--|---------|----|---------|---------|----------|------------------------------------|--|
| <b>erweiterte Ausführung / enlarged type</b> |         |    |         |         |          |                                    |  |
| Pg 7   | 2 - 6   | 19 | 22      | 7       | 8        | <b>185.0706</b>                    | <b>185.0706.01</b>                     |
| Pg 7   | 4 - 8   | 19 | 22      | 7       | 8        | <b>185.0708</b>                    | <b>185.0708.01</b>                     |
| Pg 9   | 3 - 7   | 22 | 24      | 9       | 8        | <b>185.0907</b>                    | <b>185.0907.01</b>                     |
| Pg 9   | 5 - 10  | 22 | 24      | 9       | 8        | <b>185.0910</b>                    | <b>185.0910.01</b>                     |
| Pg 11  | 5 - 9   | 24 | 26      | 10,5    | 8        | <b>185.1109</b>                    | <b>185.1109.01</b>                     |
| Pg 11  | 6 - 12  | 24 | 26      | 10,5    | 8        | <b>185.1112</b>                    | <b>185.1112.01</b>                     |
| Pg 13,5                                      | 7 - 12  | 27 | 27      | 12,5    | 9        | <b>185.1312</b>                    | <b>185.1312.01</b>                     |
| Pg 13,5                                      | 10 - 14 | 27 | 27      | 12,5    | 9        | <b>185.1314</b>                    | <b>185.1314.01</b>                     |
| Pg 16  | 9 - 16  | 33 | 30      | 15      | 10       | <b>185.1616</b>                    | <b>185.1616.01</b>                     |
| Pg 16  | 13 - 18 | 33 | 30      | 15      | 10       | <b>185.1618</b>                    | <b>185.1618.01</b>                     |
| <b>reduzierte Ausführung / reduced type</b>  |         |    |         |         |          |                                    |  |
| Pg 9   | 2 - 5   | 19 | 20      |         | 8        | <b>186.0905</b>                    | <b>186.0905.01</b>                     |
| Pg 9   | 3 - 6,5 | 19 | 20      |         | 8        | <b>186.0907</b>                    | <b>186.0907.01</b>                     |
| Pg 11  | 2 - 6   | 22 | 22      |         | 8        | <b>186.1106</b>                    | <b>186.1106.01</b>                     |
| Pg 11  | 4 - 8   | 22 | 22      |         | 8        | <b>186.1108</b>                    | <b>186.1108.01</b>                     |
| Pg 13,5                                      | 3 - 7   | 24 | 24      |         | 9        | <b>186.1307</b>                    | <b>186.1307.01</b>                     |
| Pg 13,5                                      | 5 - 10  | 24 | 24      |         | 9        | <b>186.1310</b>                    | <b>186.1310.01</b>                     |
| Pg 16  | 5 - 9   | 27 | 27      |         | 10       | <b>186.1609</b>                    | <b>186.1609.01</b>                     |
| Pg 16  | 6 - 12  | 27 | 27      |         | 10       | <b>186.1612</b>                    | <b>186.1612.01</b>                     |
| Pg 21  | 7 - 12  | 33 | 28      |         | 11       | <b>186.2112</b>                    | <b>186.2112.01</b>                     |
| Pg 21  | 10 - 14 | 33 | 28      |         | 11       | <b>186.2114</b>                    | <b>186.2114.01</b>                     |



Kabelverschraubungen  
EMV-Schutz  
Ex-Schutz  
Kabelschutzsysteme  
Zubehör  
Technischer Anhang  
Artikel-Verzeichnis

**WAZU-PF**

Material: PVDF  
Farbe: natur  
Dichteinsatz: FPM  
Zugentlastung: nach EN 50262, Ausf. A\*  
Einsatztemperatur: -35 °C bis 150 °C  
Schutzart: IP 68

Material: PVDF  
Colour: natural  
Sealing insert: FPM  
Strain relief: acc. to EN 50262, version A\*  
Temperature range: -35 °C to 150 °C  
Protection type: IP 68

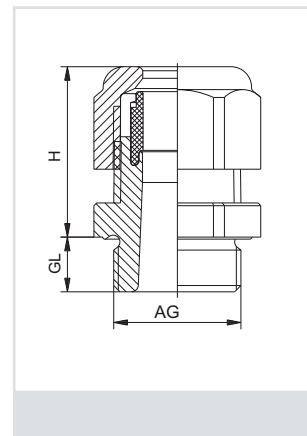
**187.00**

\* nur metrische Größen

\* only metric sizes



| Gewinde<br>Entry Thread<br>AG | mm      | mm    | H<br>mm | GL<br>mm | HUGRO No. |
|-------------------------------|---------|-------|---------|----------|-----------|
| M 12 x 1,5                    | 2 - 5   | 15    | 20      | 8        | 187.1505  |
| M 12 x 1,5                    | 3 - 6,5 | 15    | 20      | 8        | 187.1507  |
| M 16 x 1,5                    | 2 - 6   | 19    | 22      | 8        | 187.1706  |
| M 16 x 1,5                    | 4 - 8   | 19    | 22      | 8        | 187.1708  |
| M 20 x 1,5                    | 5 - 9   | 24    | 27      | 9        | 187.2009  |
| M 20 x 1,5                    | 6 - 12  | 24    | 27      | 9        | 187.2012  |
| M 25 x 1,5                    | 9 - 16  | 33    | 30      | 11       | 187.2516  |
| M 25 x 1,5                    | 13 - 18 | 33    | 30      | 11       | 187.2518  |
| M 32 x 1,5                    | 13 - 20 | 42    | 38      | 11       | 187.3220  |
| M 32 x 1,5                    | 18 - 25 | 42    | 38      | 11       | 187.3225  |
| Pg 7                          | 2 - 5   | 15    | 20      | 8        | 187.0705  |
| Pg 7                          | 3 - 6,5 | 15    | 20      | 8        | 187.0707  |
| Pg 9                          | 2 - 6   | 19    | 22      | 8        | 187.0906  |
| Pg 9                          | 4 - 8   | 19    | 22      | 8        | 187.0908  |
| Pg 11                         | 3 - 7   | 22    | 24      | 8        | 187.1107  |
| Pg 11                         | 5 - 10  | 22    | 24      | 8        | 187.1110  |
| Pg 13,5                       | 5 - 9   | 24    | 27      | 9        | 187.1309  |
| Pg 13,5                       | 6 - 12  | 24    | 27      | 9        | 187.1312  |
| Pg 16                         | 7 - 12  | 27    | 28      | 10       | 187.1612  |
| Pg 16                         | 10 - 14 | 27    | 28      | 10       | 187.1614  |
| Pg 21                         | 9 - 16  | 33    | 30      | 11       | 187.2116  |
| Pg 21                         | 13 - 18 | 33    | 30      | 11       | 187.2118  |
| Pg 29                         | 13 - 20 | 42    | 38      | 11       | 187.2920  |
| Pg 29                         | 18 - 25 | 42    | 38      | 11       | 187.2925  |
| Pg 36                         | 20 - 26 | 53    | 45      | 13       | 187.3626  |
| Pg 36                         | 22 - 32 | 53    | 45      | 13       | 187.3632  |
| Pg 42                         | 25 - 31 | 60    | 47      | 13       | 187.4231  |
| Pg 42                         | 32 - 38 | 60    | 47      | 13       | 187.4238  |
| Pg 48                         | 29 - 35 | 65    | 47      | 14       | 187.4835  |
| Pg 48                         | 37 - 44 | 65    | 47      | 14       | 187.4844  |
| 3/8" NPT                      | 2 - 6   | 22/19 | 22      | 15       | 187.3906  |
| 3/8" NPT                      | 4 - 8   | 22/19 | 22      | 15       | 187.3908  |
| 1/2" NPT                      | 5 - 9   | 24    | 27      | 13       | 187.1909  |
| 1/2" NPT                      | 6 - 12  | 24    | 27      | 13       | 187.1912  |
| 1/2" NPT                      | 10 - 14 | 27    | 28      | 13       | 187.1914  |
| 3/4" NPT                      | 9 - 16  | 33    | 30      | 14       | 187.3516  |
| 3/4" NPT                      | 13 - 18 | 33    | 30      | 14       | 187.3518  |



## WAZU-MF

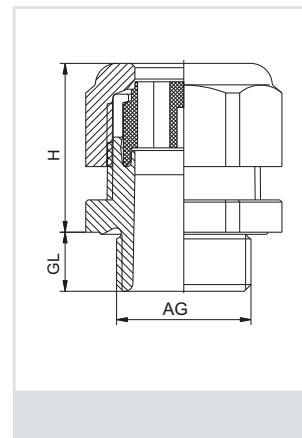
Material: PA, V0 nach UL 94  
 Farbe: grau / schwarz  
 Dichteinsatz: Elastomer  
 Einsatztemperatur: -40 °C bis 100 °C  
 Schutzart: IP 65

Material: PA (Nylon), V0 acc. to UL 94  
 Colour: grey / black  
 Sealing insert: Elastomer  
 Temperature range: -40 °C to 100 °C  
 Protection type: IP 65

**184.40**  
**184.41**



| Gewinde<br>Entry Thread<br>AG | <br>mm | H<br>mm | GL<br>mm | <br>mm  | HUGRO No.    | <br>mm  | HUGRO No.    |
|-------------------------------|--------|---------|----------|---------|--------------|---------|--------------|
| M 16 x 1,5                    | 19     | 22      | 8        | 4 x 1,4 | 184.17144.40 | 5 x 1,6 | 184.17165.40 |
| M 16 x 1,5                    | 19     | 22      | 8        | 2 x 3   | 184.17302.40 |         |              |
| M 20 x 1,5                    | 24     | 27      | 9        | 3 x 2   | 184.20203.40 | 2 x 2,5 | 184.20252.40 |
| M 20 x 1,5                    | 24     | 27      | 9        | 3 x 3   | 184.20303.40 | 6 x 3   | 184.20306.40 |
| M 20 x 1,5                    | 24     | 27      | 9        | 3 x 4   | 184.20403.40 | 2 x 5   | 184.20502.40 |
| M 25 x 1,5                    | 33     | 30      | 11       | 4 x 5   | 184.25504.40 | 4 x 6   | 184.25604.40 |
| M 25 x 1,5                    | 33     | 30      | 11       | 3 x 7   | 184.25703.40 | 2 x 8   | 184.25802.40 |
| M 32 x 1,5                    | 42     | 38      | 11       | 6 x 6,5 | 184.32656.40 | 4 x 9   | 184.32904.40 |
| M 40 x 1,5                    | 53     | 45      | 13       | 5 x 9   | 184.40905.40 | 7 x 9   | 184.40907.40 |
| M 40 x 1,5                    | 53     | 45      | 13       | 6 x 8   | 184.40806.40 | 2 x 15  | 184.40152.40 |
| M 63 x 1,5                    | 68/65  | 47      | 14       | 8 x 10  | 184.63108.40 | 6 x 12  | 184.63126.40 |
| M 63 x 1,5                    | 68/65  | 47      | 14       | 3 x 18  | 184.63183.40 |         |              |
|                               |        |         |          |         |              |         |              |
| Pg 9                          | 19     | 22      | 8        | 4 x 1,4 | 184.09144.40 | 5 x 1,6 | 184.09165.40 |
| Pg 9                          | 19     | 22      | 8        | 2 x 3   | 184.09302.40 |         |              |
| Pg 11                         | 22     | 24      | 8        | 3 x 1,5 | 184.11153.40 | 2 x 3   | 184.11302.40 |
| Pg 11                         | 22     | 24      | 8        | 3 x 3   | 184.11303.40 | 2 x 4   | 184.11402.40 |
| Pg 13,5                       | 24     | 27      | 9        | 3 x 2   | 184.13203.40 | 2 x 2,5 | 184.13252.40 |
| Pg 13,5                       | 24     | 27      | 9        | 3 x 3   | 184.13303.40 | 6 x 3   | 184.13306.40 |
| Pg 13,5                       | 24     | 27      | 9        | 3 x 4   | 184.13403.40 | 2 x 5   | 184.13502.40 |
| Pg 16                         | 27     | 28      | 10       | 3 x 3   | 184.16303.40 | 6 x 3   | 184.16306.40 |
| Pg 16                         | 27     | 28      | 10       | 3 x 4   | 184.16403.40 | 4 x 4   | 184.16404.40 |
| Pg 16                         | 27     | 28      | 10       | 5 x 4   | 184.16405.40 | 6 x 4   | 184.16406.40 |
| Pg 16                         | 27     | 28      | 10       | 3 x 5,6 | 184.16563.40 | 2 x 6   | 184.16602.40 |
| Pg 21                         | 33     | 30      | 11       | 4 x 5   | 184.21504.40 | 4 x 6   | 184.21604.40 |
| Pg 21                         | 33     | 30      | 11       | 3 x 7   | 184.21703.40 | 2 x 8   | 184.21802.40 |
| Pg 29                         | 42     | 38      | 11       | 6 x 6,5 | 184.29656.40 | 4 x 9   | 184.29904.40 |
| Pg 36                         | 53     | 45      | 13       | 5 x 9   | 184.36905.40 | 7 x 9   | 184.36907.40 |
| Pg 36                         | 53     | 45      | 13       | 6 x 8   | 184.36806.40 | 2 x 15  | 184.36152.40 |
| Pg 48                         | 65     | 47      | 14       | 8 x 10  | 184.48108.40 | 6 x 12  | 184.48126.40 |
| Pg 48                         | 65     | 47      | 14       | 3 x 18  | 184.48183.40 |         |              |
|                               |        |         |          |         |              |         |              |
| 3/8" NPT                      | 22/19  | 22      | 15       | 4 x 1,4 | 184.39144.40 | 5 x 1,6 | 184.39165.40 |
| 3/8" NPT                      | 22/19  | 22      | 15       | 2 x 3   | 184.39302.40 |         |              |
| 1/2" NPT                      | 24     | 27      | 13       | 3 x 2   | 184.19203.40 | 2 x 2,5 | 184.19252.40 |
| 1/2" NPT                      | 24     | 27      | 13       | 3 x 3   | 184.19303.40 | 6 x 3   | 184.19306.40 |
| 1/2" NPT                      | 24     | 27      | 13       | 3 x 4   | 184.19403.40 | 2 x 5   | 184.19502.40 |
| 3/4" NPT                      | 33     | 30      | 14       | 4 x 5   | 184.35504.40 | 4 x 6   | 184.35604.40 |
| 3/4" NPT                      | 33     | 30      | 14       | 3 x 7   | 184.35703.40 | 2 x 8   | 184.35802.40 |
| 1" NPT                        | 42     | 38      | 19       | 6 x 6,5 | 184.75656.40 | 4 x 9   | 184.75904.40 |



Kabelverschraubungen  
 EMV-Schutz  
 Ex-Schutz  
 Kabelschutzsysteme  
 Zubehör  
 Technischer Anhang  
 Artikel-Verzeichnis

Artikel-Nummern für schwarze Ausführungen:  
 184.xxxx.41

Reference nos. for glands in black: 184.xxxx.41

**Montagehinweis:**

Der Kabeldurchmesser darf 20 % des Bohrungsdurchmessers, max. jedoch 1 mm, unterschreiten.

**Notice:**

Cable diameter should not be less than 20 % of hole diameter but the difference between hole and cable diameter should never exceed 1 mm.

Bolzen zum Verschließen nicht gebrauchter Bohrungen siehe Kapitel Zubehör - Serie 683

Plugs for closing of not used holes see chapter accessories - series 683



## WAZU-W

Material: PA, V0 nach UL 94  
 Farbe: grau/schwarz  
 Zugentlastung: nach EN 50262, Ausf. A\*  
 Dichteinsatz: NBR  
 O-Ring: NBR (nicht NPT-Gewinde)  
 Einsatztemperatur: -40 °C bis 100 °C  
 Schutzart: IP 68



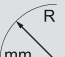
Material: PA (Nylon), V0 acc. to UL 94  
 Colour: grey/black  
 Strain relief: acc. to EN 50262, version A\*  
 Sealing insert: NBR  
 O-ring: NBR (not NPT thread)  
 Temperature range: -40 °C to 100 °C  
 Protection type: IP 68

**197.00**  
**197.01**

\* nur metrische Größen

\* only metric sizes



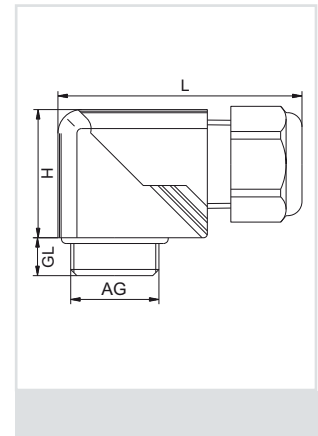
| Gewinde<br>Entry Thread<br>AG |  |  | H<br>mm | L<br>mm |  | GL<br>mm | grau/grey<br>RAL 7035<br>HUGRO No. | schwarz/black<br>RAL 9005<br>HUGRO No. |
|-------------------------------|---|---|---------|---------|---|----------|------------------------------------|--|
| M 16 x 1,5                    | 2 - 6   | 19  | 23      | 45      | 5   | 8        | 197.1706                           | 197.1706.01                            |
| M 16 x 1,5                    | 4 - 8   | 19  | 23      | 45      | 5   | 8        | 197.1708                           | 197.1708.01                            |
| M 20 x 1,5                    | 5 - 9   | 24  | 30,5    | 57      | 7   | 9        | 197.2009                           | 197.2009.01                            |
| M 20 x 1,5                    | 6 - 12  | 24  | 30,5    | 57      | 7   | 9        | 197.2012                           | 197.2012.01                            |
| M 25 x 1,5                    | 9 - 16  | 33  | 40      | 73      | 10  | 11       | 197.2516                           | 197.2516.01                            |
| M 25 x 1,5                    | 13 - 18   | 33  | 40      | 73      | 10  | 11       | 197.2518                           | 197.2518.01                            |
| M 32 x 1,5                    | 13 - 20   | 42  | 51,5    | 91      | 14  | 11       | 197.3220                           | 197.3220.01                            |
| M 32 x 1,5                    | 18 - 25   | 42  | 51,5    | 91      | 14  | 11       | 197.3225                           | 197.3225.01                            |
|                               |   |   |         |         |   |          |                                    |  |
| Pg 9                          | 2 - 6   | 19  | 23      | 45      | 5   | 8        | 197.0906                           | 197.0906.01                            |
| Pg 9                          | 4 - 8   | 19  | 23      | 45      | 5   | 8        | 197.0908                           | 197.0908.01                            |
| Pg 11                         | 3 - 7   | 22  | 27      | 50      | 6   | 8        | 197.1107                           | 197.1107.01                            |
| Pg 11                         | 5 - 10  | 22  | 27      | 50      | 6   | 8        | 197.1110                           | 197.1110.01                            |
| Pg 13,5                       | 5 - 9   | 24  | 30,5    | 57      | 7   | 9        | 197.1309                           | 197.1309.01                            |
| Pg 13,5                       | 6 - 12  | 24  | 30,5    | 57      | 7   | 9        | 197.1312                           | 197.1312.01                            |
| Pg 16                         | 7 - 12  | 27  | 32,5    | 59      | 8   | 10       | 197.1612                           | 197.1612.01                            |
| Pg 16                         | 10 - 14   | 27  | 32,5    | 59      | 8   | 10       | 197.1614                           | 197.1614.01                            |
| Pg 21                         | 9 - 16  | 33  | 40      | 73      | 10  | 11       | 197.2116                           | 197.2116.01                            |
| Pg 21                         | 13 - 18   | 33  | 40      | 73      | 10  | 11       | 197.2118                           | 197.2118.01                            |
| Pg 29                         | 13 - 20   | 42  | 51,5    | 91      | 14  | 11       | 197.2920                           | 197.2920.01                            |
| Pg 29                         | 18 - 25   | 42  | 51,5    | 91      | 14  | 11       | 197.2925                           | 197.2925.01                            |
|                               |   |   |         |         |   |          |                                    |  |
| 3/8" NPT                      | 2 - 6   | 19  | 23      | 45      | 5   | 15       | 197.3906                           | 197.3906.01                            |
| 3/8" NPT                      | 4 - 8   | 19  | 23      | 45      | 5   | 15       | 197.3908                           | 197.3908.01                            |
| 1/2" NPT                      | 5 - 9   | 24  | 30,5    | 57      | 7   | 13       | 197.1909                           | 197.1909.01                            |
| 1/2" NPT                      | 6 - 12  | 24  | 30,5    | 57      | 7   | 13       | 197.1912                           | 197.1912.01                            |
| 1/2" NPT                      | 10 - 14   | 27  | 31,5    | 59      | 8   | 13       | 197.1914                           | 197.1914.01                            |
| 3/4" NPT                      | 9 - 16  | 33  | 40      | 73      | 10  | 14       | 197.3516                           | 197.3516.01                            |
| 3/4" NPT                      | 13 - 18   | 33  | 40      | 73      | 10  | 14       | 197.3518                           | 197.3518.01                            |
| 1" NPT                        | 13 - 20   | 42  | 51,5    | 91      | 14  | 19       | 197.7520                           | 197.7520.01                            |
| 1" NPT                        | 18 - 25   | 42  | 51,5    | 91      | 14  | 19       | 197.7525                           | 197.7525.01                            |

NPT-Größen ohne O-Ring

**Empfehlung:** Anschlussgewinde-Dichtring

NPT sizes without O-ring

**Suggestion:** thread seal ring



Kabelverschraubungen

EMV-Schutz

Ex-Schutz

Kabelschutzsysteme

Zubehör

Technischer Anhang

Artikel-Verzeichnis