

## WADI-A (Pg/Gas)

Material: Messing vernickelt  
 Dichteinsatz: NBR  
 O-Ring: NBR  
 Einsatztemperatur: -20 °C bis 100 °C  
 Schutzart: IP 68

Material: brass, nickel-plated  
 Sealing insert: NBR  
 O-ring: NBR  
 Temperature range: -20 °C to 100 °C  
 Protection type: IP 68

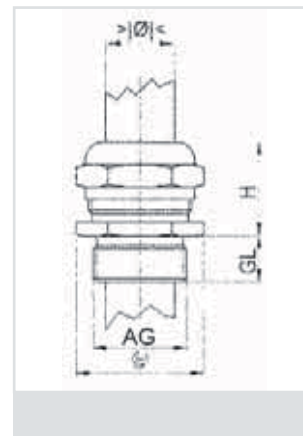
105.00

105.20

Gewinde Entry Thread AG			H mm	Gew. kurz / Thread short		Gew. lang / Thread long	
				GL mm	HUGRO No.	GL mm	HUGRO No.

kurzer, einfacher Dichteinsatz / short, one-piece sealing insert							
Pg 7	2 - 3	14	16	6	105.0703	10	105.0703.20
Pg 7	4 - 6,5	14	16	6	105.0765	10	105.0707.20
Pg 7	6,5 - 8	14	16	6	105.0708	10	105.0708.20
Pg 9	4 - 5	19	18	6	105.0905	10	105.0905.20
Pg 9	5 - 7	19	18	6	105.0907	10	105.0907.20
Pg 9	6 - 8	19	18	6	105.0908	10	105.0908.20
Pg 9	8 - 10	19	18	6	105.0910	10	105.0910.20
Pg 11	5 - 7	20	19	6	105.1107	10	105.1107.20
Pg 11	7 - 10	20	19	6	105.1110	10	105.1110.20
Pg 11	8 - 12	20	19	6	105.1112	10	105.1112.20
Pg 13,5	5,5 - 7,5	24	21	6	105.1308	10	105.1308.20
Pg 13,5	7,5 - 10	24	21	6	105.1310	10	105.1310.20
Pg 13,5	9 - 11,5	24	21	6	105.1312	10	105.1312.20
Pg 13,5	11 - 15	24	21	6	105.1315	10	105.1315.20
Pg 16	5,5 - 7,5	24	21	6	105.1608	10	105.1608.20
Pg 16	7,5 - 10	24	21	6	105.1610	10	105.1610.20
Pg 16	9 - 11,5	24	21	6	105.1612	10	105.1612.20
Pg 16	11 - 15	24	21	6	105.1615	10	105.1615.20
Pg 21	14 - 17	32	23	7,5	105.2117	12	105.2117.20
Pg 21	15 - 20,5	32	23	7,5	105.2121	12	105.2121.20
Pg 21	19 - 22	32	23	7,5	105.2122	12	105.2122.20
Pg 29	19 - 22,5	40	25	8	105.2923	12	105.2923.20
Pg 29	20 - 26	40	25	8	105.2926	12	105.2926.20
Pg 29	22 - 28	40	25	8	105.2928	12	105.2928.20
Pg 36	30 - 35	50	27	8	105.3635	15	105.3635.20

kurzer, zweiteiliger Dichteinsatz / short, two-piece sealing insert							
Pg 9	3 - 10	19	18	6	105.0902	10	105.0902.20
Pg 11	5 - 12	20	19	6	105.1102	10	105.1102.20
Pg 13,5	8 - 15	24	21	6	105.1302	10	105.1302.20
Pg 16	8 - 15	24	21	6	105.1602	10	105.1602.20
Pg 21	11 - 20,5	32	23	7,5	105.2102	12	105.2102.20
Pg 29	18 - 28	40	25	8	105.2902	12	105.2902.20
Pg 36	25 - 35	50	29	8	105.3602	15	105.3602.20
Pg 42	35 - 45	58	31	10	105.4202	15	105.4202.20
Pg 48	38 - 49	64	33	10	105.4802	15	105.4802.20





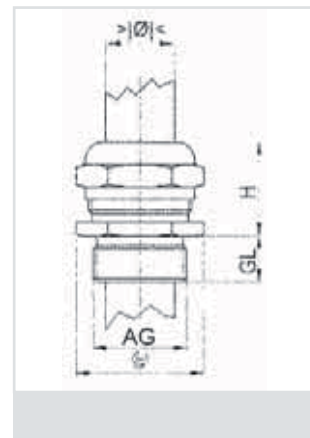
## WADI-B (Pg)

Material: Messing vernickelt  
 Dichteinsatz: NBR  
 O-Ring: NBR  
 Einsatztemperatur: -20 °C bis 100 °C  
 Schutzart: IP 68

Material: brass, nickel-plated  
 Sealing insert: NBR  
 O-ring: NBR  
 Temperature range: -20 °C to 100 °C  
 Protection type: IP 68

**102.00**  
**102.20**

Gewinde Entry Thread AG			H mm	Gew. kurz / Thread short		Gew. lang / Thread long	
				GL mm	HUGRO No.	GL mm	HUGRO No.
<b>langer, einfacher Dichteinsatz / long, one-piece sealing insert</b>							
Pg 7	4 - 5	14	16	6	102.0705	10	102.0705.20
Pg 7	5 - 7	14	16	6	102.0707	10	102.0707.20
Pg 9	4 - 6	18	16	6	102.0906	10	102.0906.20
Pg 9	6 - 8	18	16	6	102.0908	10	102.0908.20
Pg 9	8 - 10	18	16	6	102.0910	10	102.0910.20
Pg 11	4 - 6	22	16	6	102.1106	10	102.1106.20
Pg 11	5 - 9	22	16	6	102.1109	10	102.1109.20
Pg 11	9 - 12	22	16	6	102.1112	10	102.1112.20
Pg 13,5	7 - 9	24	18	6	102.1309	10	102.1309.20
Pg 13,5	8 - 12	24	18	6	102.1312	10	102.1312.20
Pg 13,5	12 - 15	24	18	6	102.1315	10	102.1315.20
Pg 16	7 - 9	24	18	6	102.1609	10	102.1609.20
Pg 16	8 - 12	24	18	6	102.1612	10	102.1612.20
Pg 16	12 - 15	24	18	6	102.1615	10	102.1615.20
Pg 21	10 - 13	32	21	7,5	102.2113	12	102.2113.20
Pg 21	13 - 16,5	32	21	7,5	102.2116	12	102.2116.20
Pg 21	17 - 20,5	32	21	7,5	102.2120	12	102.2120.20
Pg 29	15 - 18	40	25	8	102.2918	12	102.2918.20
Pg 29	17 - 22	40	25	8	102.2922	12	102.2922.20
Pg 29	21 - 26	40	25	8	102.2926	12	102.2926.20
Pg 36	24 - 27	50	27	8	102.3627	15	102.3627.20
Pg 36	26 - 31	50	27	8	102.3631	15	102.3631.20
Pg 36	30 - 35	50	27	8	102.3635	15	102.3635.20
Pg 48	34 - 40	64	32	10	102.4840	15	102.4840.20
Pg 48	39 - 44	64	32	10	102.4844	15	102.4844.20
Pg 48	43 - 49	64	32	10	102.4849	15	102.4849.20
<b>langer, zweiteiliger Dichteinsatz / long, two-piece sealing insert</b>							
Pg 9	5 - 10	18	16	6	102.0902	10	102.0902.20
Pg 11	5 - 12	22	18	6	102.1102	10	102.1102.20
Pg 13,5	8 - 15	24	18	6	102.1302	10	102.1302.20
Pg 16	8 - 15	24	18	6	102.1602	10	102.1602.20
Pg 21	11 - 20,5	32	21	7,5	102.2102	12	102.2102.20
Pg 29	18 - 28	40	25	8	102.2902	12	102.2902.20
Pg 36	25 - 35	50	27	8	102.3602	15	102.3602.20
Pg 42	35 - 45	58	32	10	102.4202	15	102.4202.20
Pg 48	34 - 49	64	35	10	102.4802	15	102.4802.20



Cable Glands

EMC Protection

Ex Protection

Conduit Protection Syst.

Accessories

Technical Appendix

Article Number Index



